

AFLEX[®]



PRODUCT

Aflex Bellows Assemblies

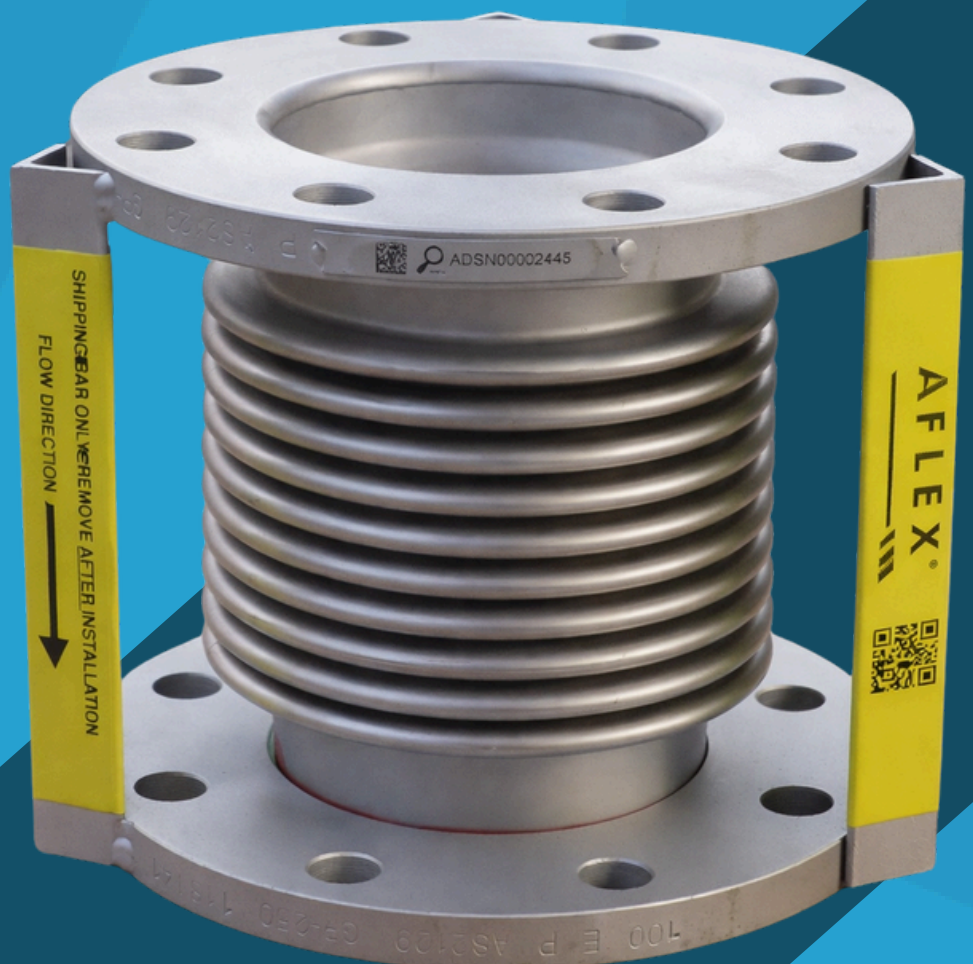
SEB

SINGLE EXPANSION BELLOWS



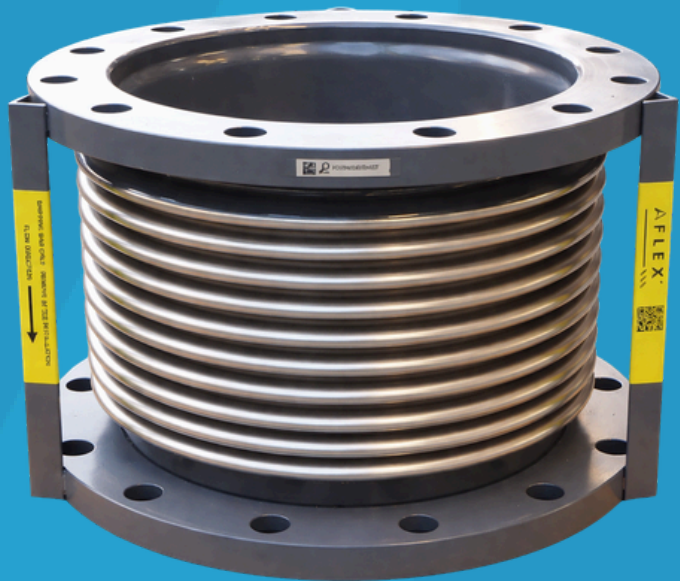
A Single Expansion Bellows (SEB) is the simplest product Aflex offers, capable of accommodating small amounts of axial, lateral, and angular deflection or a combination of all three.

An SEB is an unrestrained bellows and therefore will exert pressure thrust onto the system.



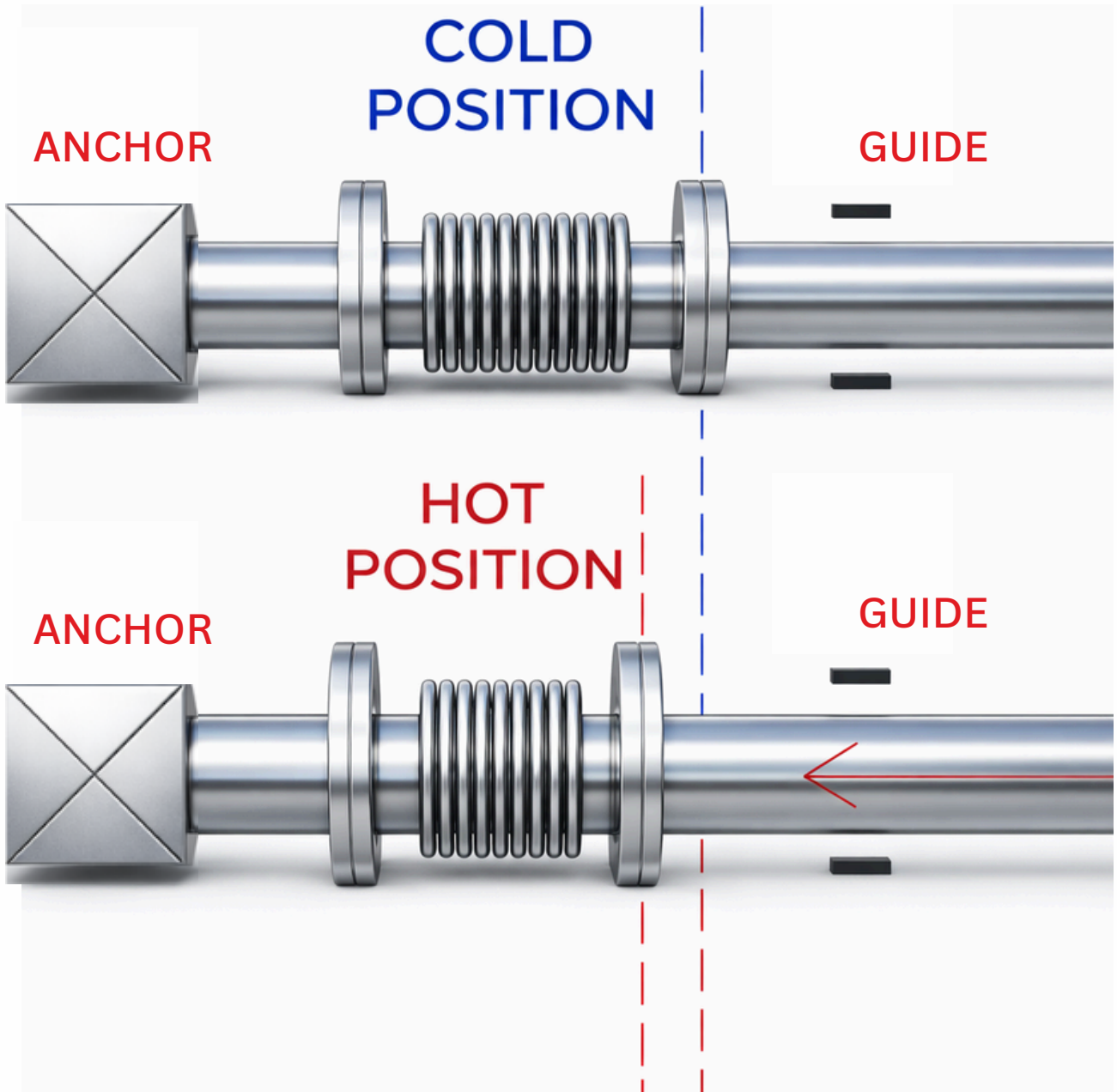
The amount of force a bellows generates is determined by the pressure of the system, and therefore in high pressure pipelines this force must be restrained.

To contain this pressure thrust the pipeline must be properly restrained by implementing correct guides and anchors.



SEB – Single Expansion Bellows

Applications	Common Pressure
Air ducts	10kPa
Exhaust pipes	100kPa
Steam lines	1000kPa
Oil and gas	1200kPa
Water lines	1600kPa (PN16)
Pump connections	1600kPa
Drainage	10kPa
MRI vent lines	700kPa
Generators	10kPa
Data centre piping	1400kPa



EXPLORE MORE
PRODUCT GALLERY



AFLEX®

- ☎ (02) 9457 7530
- ✉ sales@aflex.com.au
- 🌐 www.aflex.com.au
- 📍 Units 14-17, 12-14 Beaumont Road,
Mount Kuring-gai NSW 2080

